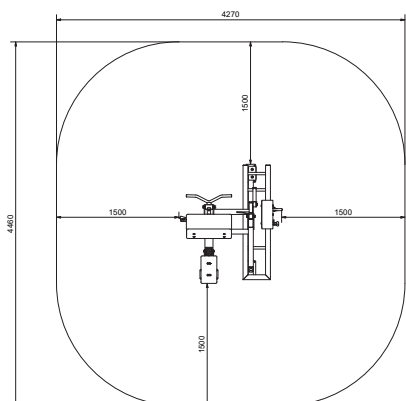
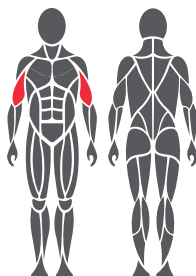


### Use and movement areas



### Target muscles



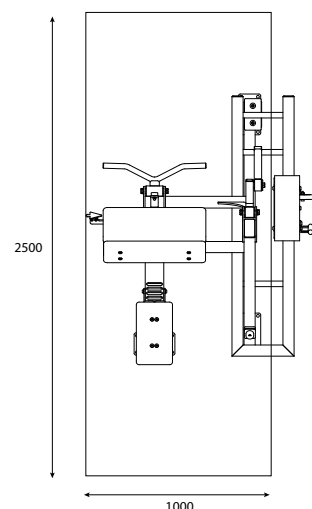
### Foundation



1. For example artificial turf or moldable safety platform max. 20 mm
2. Concrete min. 120 mm below equipments
3. Ground frost insulation, thickness based on the ground

### Concrete casting and positioning

- Length 2500 mm  
Width 1000 mm  
Thickness 200 mm
- Ground frost insulation
  - Rebaring
  - Adequate drying time must be ensured



### Product specification

Length	1460 mm
Width	1260 mm
Height	970 mm
Equipment weight	190 kg
User height	+ 140 cm
Age	+ 14
Safety area	17,1 m <sup>2</sup>
Base	surface mounting to concrete
Standard	EN16630
Country of manufacture	Finland
Metal parts	Steel
Movement arm	Stainless steel
Tube strengths	3-6 mm
Coating solution	Zink and powder coating electropolishing

### Details

- Effective and safe exercise equipment
- Maintenance-free and stainless steel ball bearing
- 12,5-70 kg (1 x weight unit)
- The product comes as standard in RAL Classic colours 5012 (blue), 1017 (yellow), 3020 (red), 6018 (green) or 7024 (grey). Other RAL colors are available at an additional cost.
- Can be installed on a movable platform

### Important

Installation depth for all Omnigym® units: top surface of the concrete base on the ground level or max. -20 mm allowance for the surface material to be used. (See foundation figure)